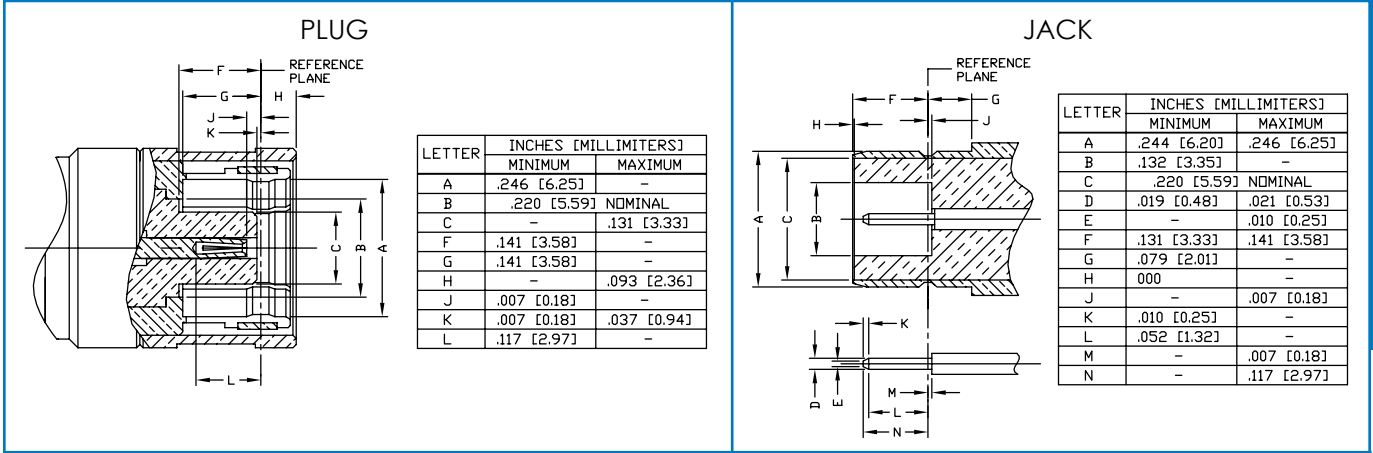


SMZ 75 Ohm (TYPE 43)

SMZ 75 Ohm (TYPE 43)



SPECIFICATIONS

| | | |
|---|--|--|
| <p>ELECTRICAL SPECIFICATIONS</p> <p>IMPEDANCE: 75 Ω</p> <p>WORKING VOLTAGE RATING: 500 VRMS @ SEA LEVEL (DEPENDENT ON CABLE)</p> <p>FREQUENCY RANGE: 0-3 GHz</p> | <p>MECHANICAL SPECIFICATIONS</p> <p>MATING: SNAP ON COUPLING, POSI-LOCK</p> <p>INTERFACE: MIL-STD-348</p> <p>CABLING: CRIMP FOR RG-179/U ONLY</p> | <p>PLATING</p> <p>G - GOLD</p> <p>N - NICKEL</p> <p>DIELECTRIC MATERIAL</p> <p>T - TEFLON</p> |
|---|--|--|



PHOTOS FOR REFERENCE ONLY, SHOWN AT 100% ACTUAL SIZE.

| PART # | FIG | DESCRIPTION | NOTES AND CABLE GROUPS | PLATING | | | RECOMMENDED TOOL |
|---------------|-----|----------------------------|---|---------|-----|-----|------------------|
| | | | | BDY | P/C | DIE | |
| RSB-300-1-179 | 1 | CRIMP PLUG | FOR RG-179/U ONLY | G | G | T | RFA-4009-204 |
| RSB-301-179 | 2 | CRIMP PLUG | WITH POSI-LOCK SHELL, FOR RG-179/U ONLY | N | G | T | RFA-4009-204 |
| RSB-310-1-179 | 3 | RIGHT ANGLE CRIMP PLUG | FOR RG-179/U ONLY | G | G | T | RFA-4009-204 |
| RSB-350-1 | 4 | VERTICAL PCB MOUNT JACK | | G | G | T | |
| RSB-355-1 | 5 | RIGHT ANGLE PCB MOUNT JACK | | G | G | T | |